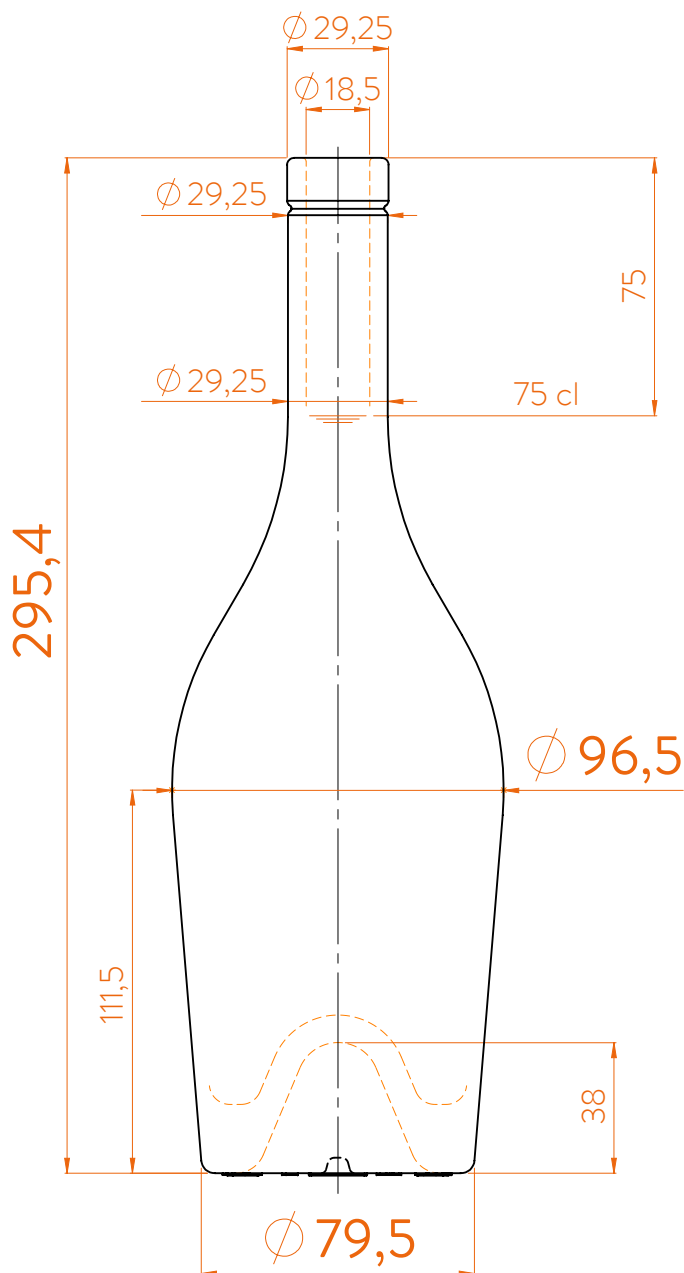


# DA OPERA<sup>®</sup>

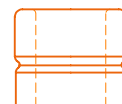
# estal

www.estal.com

+ 34 972 821 676



Modelo registrado/  
Registered model/  
Modèle enregistré/



Track-Ring Long

- ANTICO
- FLINT
- FLINT WILD GLASS
- DARK WILD GLASS



## DATOS TÉCNICOS TECHNICAL DATA DONNÉES TECHNIQUES

Peso / Weight / Poids

Altura total / Total height / Hauteur totale

Diámetro del cuerpo / Body diameter / Diamètre du corps

Ø interno boca / Ø inner mouth / Ø intérieur bouche

Capacidad a verter / Brimfull / Capacité ras-bord

## 75 cl

750 gr

295,4 mm

79.5/96.5 mm

18,5 mm

773 ml

At first the DA OPERA TRACK RING range is proposed in 75/70 cl.  
Following business opportunities, other sizes (from miniature 5cl to big size 300cl) will be added to the range.

The elements detailed in this document are not contractual. They are only indicative.