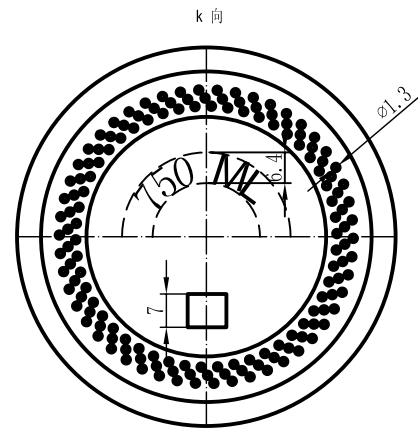


Type:
SPIRIT



The SEATTLE

U.S. Patent # D652721

Fill Point Capacity: 750ml

Brimful Capacity: 780ml +/- 10ml

Weight: 850g +/- 20g

Height: 324.1 +/- 1.5

Max Diameter: 78.9 +/- 2

Finish: BT (VS)

Mold#: GCU-31

VERSION 2	Weight change	Nov,19,2013