



# DIAMANDO

Let it shine!

Shine with **DIAMONDO** bottle and its square section, its tapered body and rounded panels. Let the white flint glass shine as a precious stone! Let the content of your product shine with the play of the angles and the thick base.

**DIAMONDO** sublimates all the colours of the rainbow.

# DIAMANDO

## TECHNICAL DATA SHEET

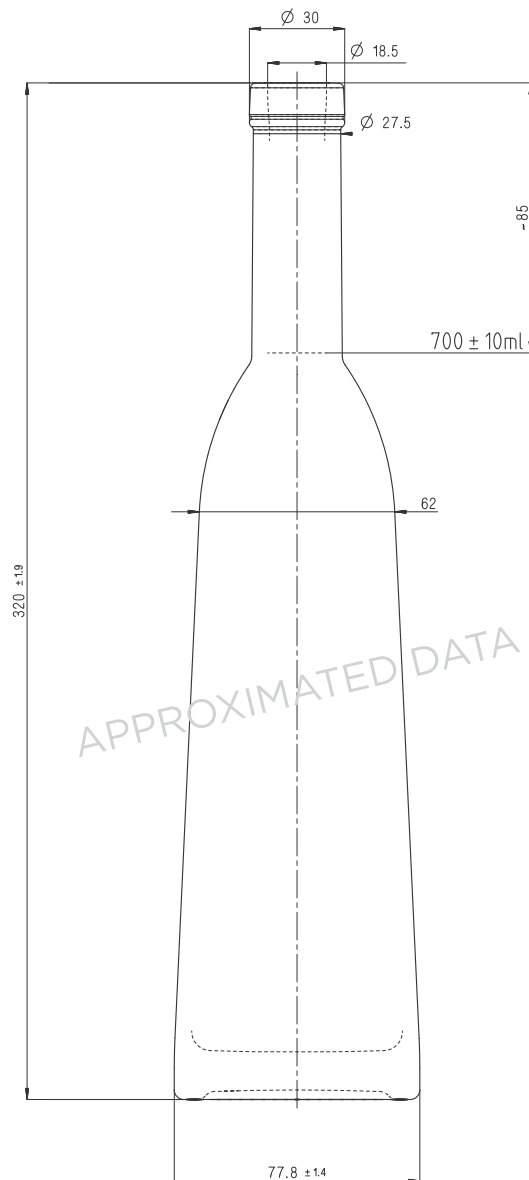
Capacity	700 ml
Weight of glass	700 gr
Finish	Omnibus for cork and GPI 28/400
Total height	320 mm (cork version)
Base section	77,8 X 77,8 mm

## PACKING WITH DIVIDERS

Number of bottles per layer	168
Number of layers	6
Number of bottles per pallet	1008
Overall height	2,08 m
Pallet weight	755 kg

## MAIN FEATURES

- Sizes: **700 ml, 750 ml**
- Colour: **Extra white flint**
- Quality standard: **Super premium**
- Glass base thickness : **Around 15 mm**
- **Registered design**



Bottom view

