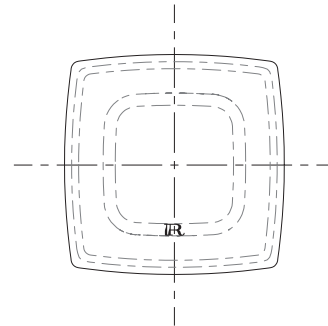
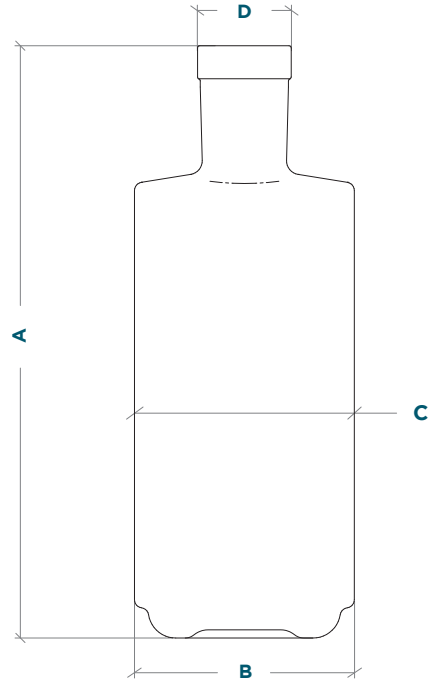


SPIRITS COLLECTION

# HARRISON PREMIERE

EXCLUSIVE DESIGN



CAPACITY	WEIGHT	HEIGHT (A)	BODY (B/C)	NECK FINISH (D)	BRIMFULL	COLOUR
500 ml*	600 gr	195 mm	72.2/72.2 mm	B 21.5/34 mm	525 ml	
700 ml	750 gr	215 mm	79.8/79.8 mm	B 21.5/34 mm	720 ml	
750 ml*	750 gr	215 mm	82.1/82.1 mm	B 21.5/34 mm	780 ml	

PATENTED MODEL | \*IN PROGRESS

**REIS**  
PACKAGING EUROPE

[www.reispackaging.com](http://www.reispackaging.com)