

RIVIERA RINGS

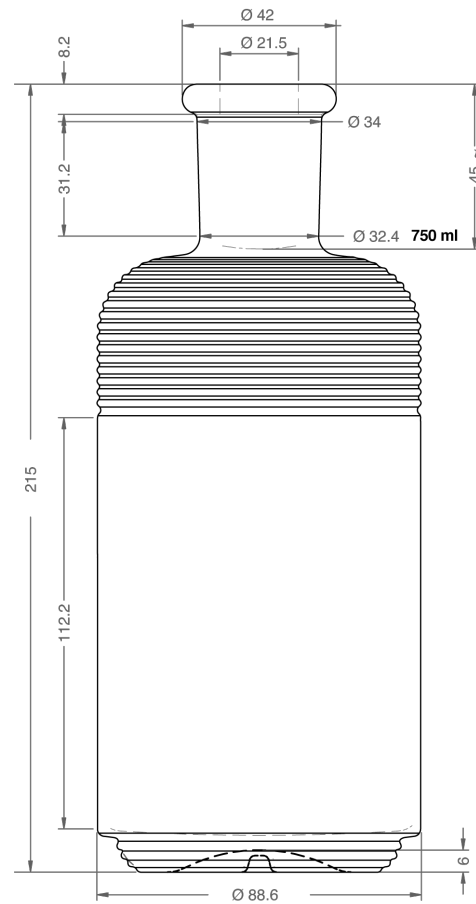
750ML

COLOUR:

● extra flint

Art.Nr:

-



PATENTED MODEL

FIT FOR



TECHNICAL DATA

TECHNISCHE DATEN

Total Height / Gesamt Höhe	215.0 mm
Body Diameter / Durchmesser	88.6 mm
Weight / Gewicht	600 gr
Finish / Mündung	Bartop 21.5/42 mm
Brimful / Randvoll	775 ml

The elements detailed in this document are not contractual. They are only indicative.

REIS
PACKAGING EUROPE

www.reispackaging.com