

# HARRISON

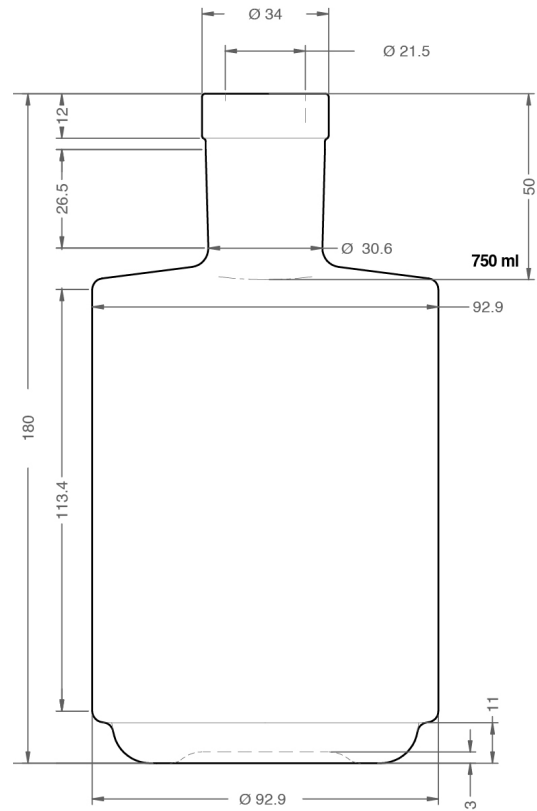
750ML

**COLOUR:**

● extra flint

**Art.Nr:**

-



PATENTED MODEL

FIT FOR



## TECHNICAL DATA

TECHNISCHE DATEN

<b>Total Height / Gesamt Höhe</b>	180.0 mm
<b>Body Diameter / Durchmesser</b>	92.9 mm
<b>Weight / Gewicht</b>	750 gr
<b>Finish / Mündung</b>	Bartop 21.5/34 mm
<b>Brimful / Randvoll</b>	780 ml

The elements detailed in this document are not contractual. They are only indicative.

**REIS**  
PACKAGING EUROPE

[www.reispackaging.com](http://www.reispackaging.com)