

RIVIERA RINGS

200ML

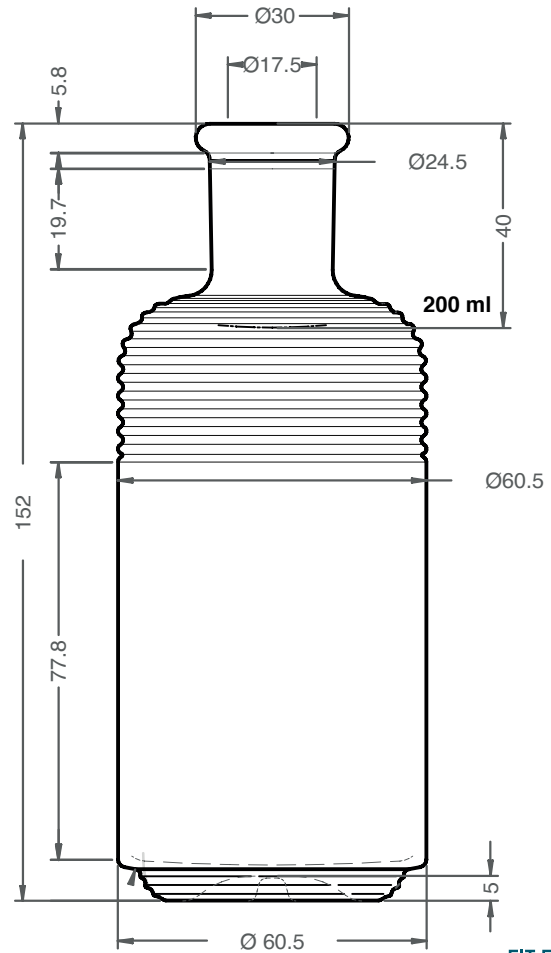
COLOUR:



flint

Art.Nr:

70172



PATENTED MODEL

FIT FOR

VINOLOK

TECHNICAL DATA

TECHNISCHE DATEN

Total Height / Gesamt Höhe	152.0 mm
Body Diameter / Durchmesser	60.5 mm
Weight / Gewicht	300 gr
Finish / Mündung	Bartop 17.5/30 mm
Brimful / Randvoll	215 ml

The elements detailed in this document are not contractual. They are only indicative.

REIS
PACKAGING EUROPE

www.reispackaging.com