

HARPER

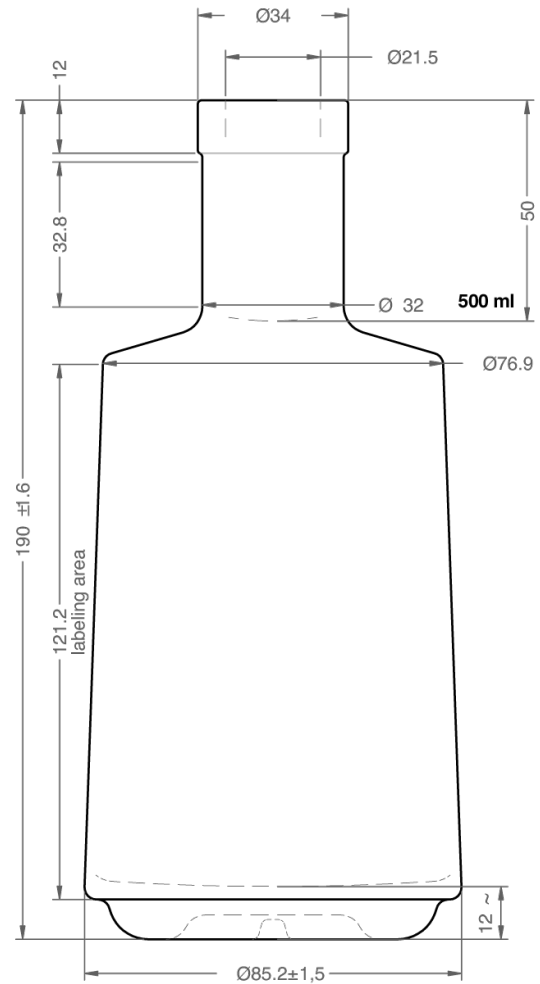
500ML

COLOUR:

● extra flint

Art.Nr:

70165



PATENTED MODEL

FIT FOR



TECHNICAL DATA

TECHNISCHE DATEN

Total Height / Gesamt Höhe	190.0 mm
Body Diameter / Durchmesser	85.2/76.9 mm
Weight / Gewicht	500 gr
Finish / Mündung	Bartop 21.5/34 mm
Brimful / Randvoll	520 ml

The elements detailed in this document are not contractual. They are only indicative.

REIS
PACKAGING EUROPE

www.reispackaging.com