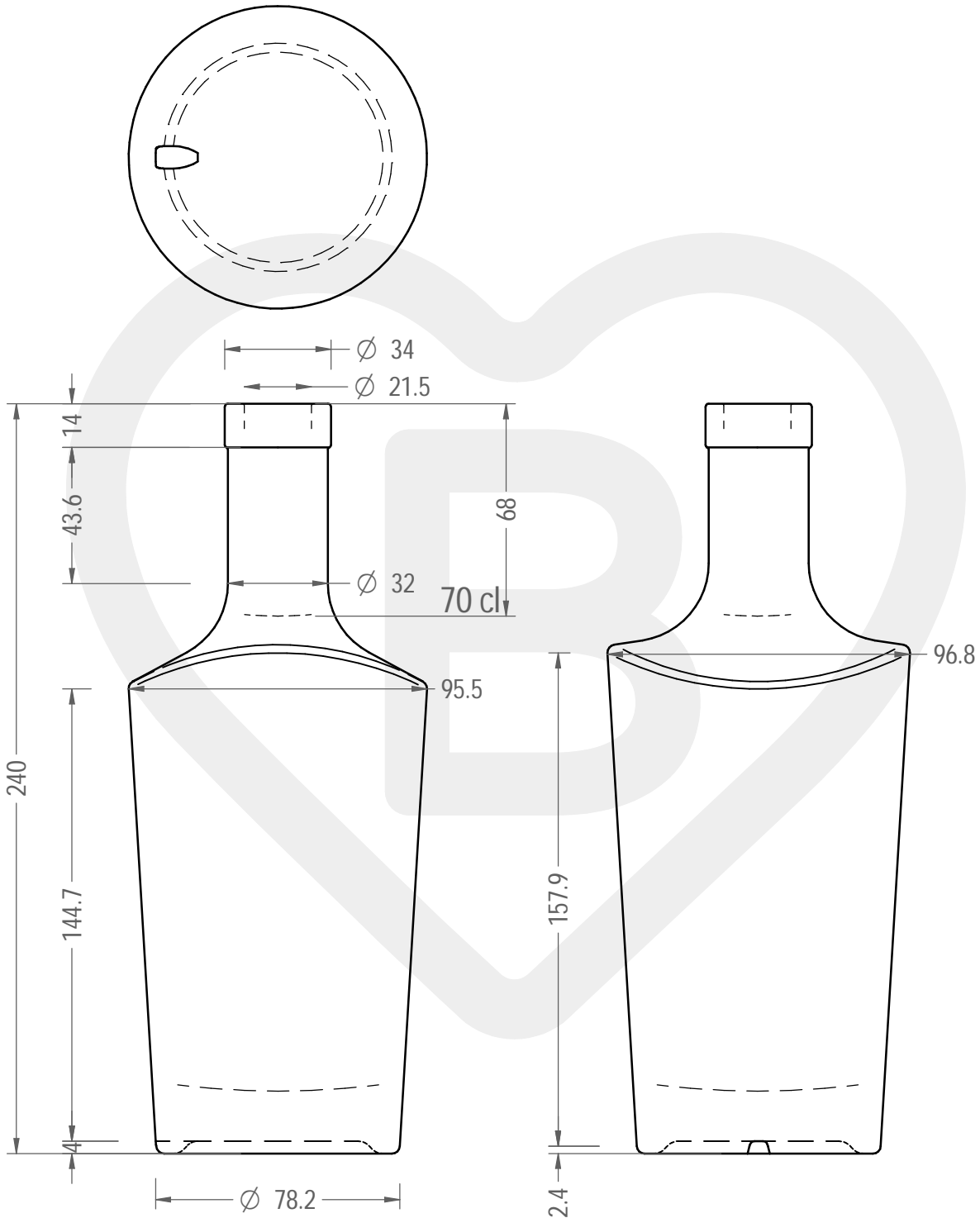


ITEM

B. DECANTER LOLA 700 FVL 14 \$ * VS

Color : BIANCO EXTRA



This drawing is approximate and not binding - Berlin Packaging Italy S.p.A. does not assume any guarantee or obligation for use of this drawing or for information contained therein

Brimful capacity (c.c.):	728	Weight (g):	750
Finish:	FASCETTA VINOLOK	Minimum through bore (mm):	-
Pressure resistance (bar):	-		
For full technical details please contact sales representative		ITEM CODE:	43095D2