

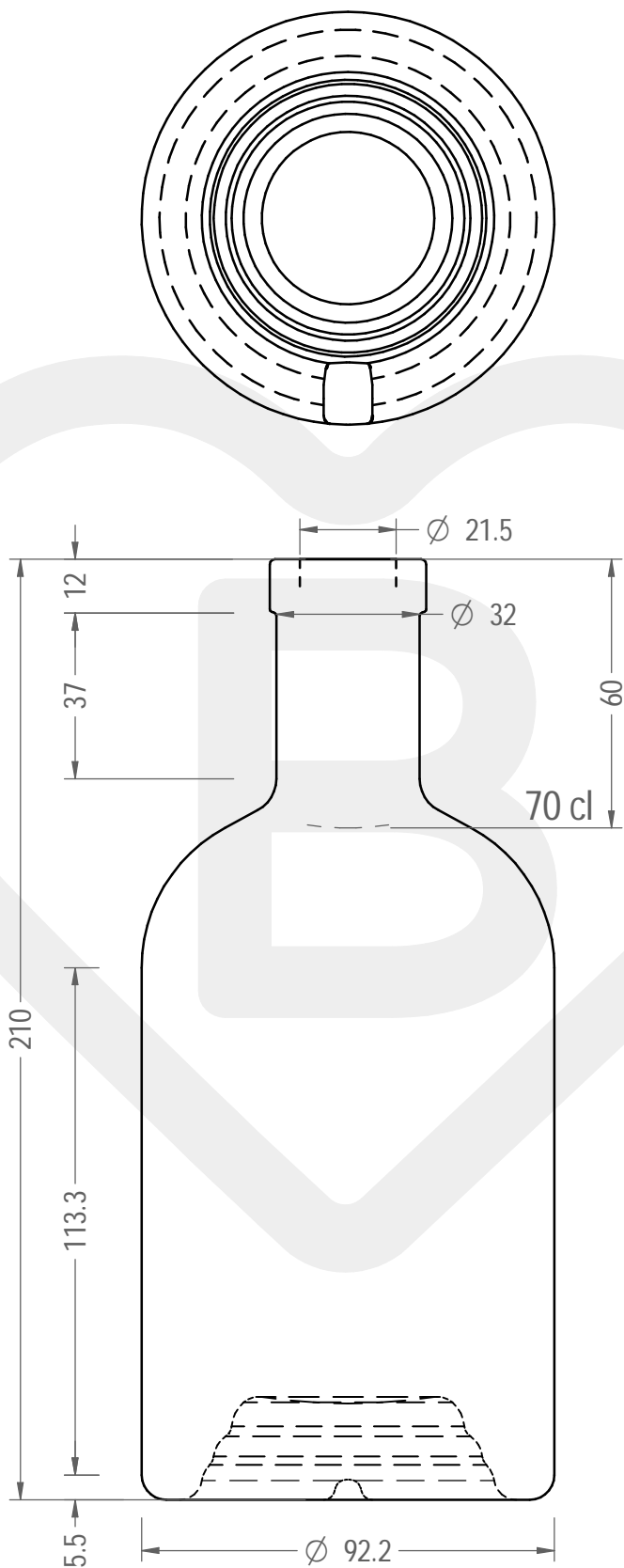
ITEM

# BOT. NOCTURNE RIPPLE 700 FVL 12 VS\*

Color : BIANCO EXTRA



berlinpackaging.eu



This drawing is approximate and not binding - Berlin Packaging Italy S.p.A. does not assume any guarantee or obligation for use of this drawing or for information contained therein

Brimful capacity (c.c.):	730	Weight (g):	550
Finish:	FASCETTA VINOLOK	Minimum through bore (mm):	
Pressure resistance (bar):	-		

For full technical details please contact sales representative

ITEM CODE: **44687P2**

Source: 44687  
Last update: 30/01/2025